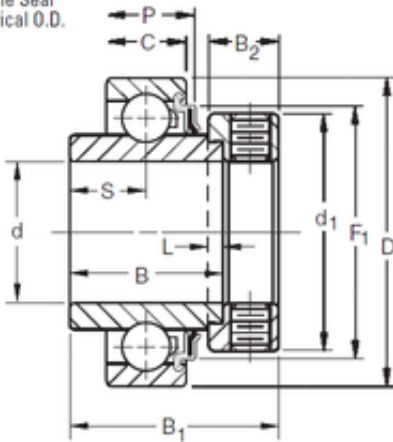




# Toyana BEARING-SINGAPORE (PTE)LTD.

KR One Seal  
Cylindrical O.D.



36,5125 mm x 72 mm x 37,7 mm Timken  
1107KR Ball Insert Bearings

Bearing No. 1107KR

Size	36.5125x72x37.7 mm
Bore Diameter	36,5125 mm
Outer Diameter	72 mm
Width	37,7 mm
d	36,5125 mm
D	72 mm
B	37,7 mm
C	17 mm
P	18,34 mm
O	19,69 mm
d1	54 mm
B1	51,2 mm
B2	17,1 mm
L	4 mm
S	18,85 mm
F1	60,55 mm
Weight	0,544 Kg
Basic dynamic load rating (C)	28,5 kN

1107KR Bearing 2D drawings and 3D CAD models