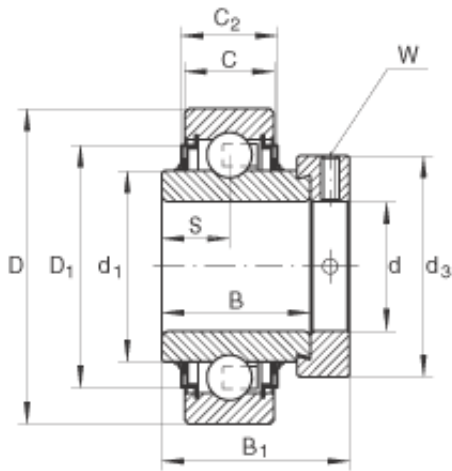




Toyana BEARING-SINGAPORE (PTE)LTD.



35 mm x 72 mm x 37,7 mm INA E35-KLL Ball Insert Bearings

Bearing No. E35-KLL

Size	35x72x51.3 mm
Bore Diameter	35 mm
Outer Diameter	72 mm
Width	51,3 mm
d	35 mm
D	72 mm
B ₁	51,3 mm
B	37,7 mm
C	19 mm
C ₂	25,4 mm
D ₁	60,3 mm
d ₁	46,8 mm
d _{3 max}	51 mm
S	18,8 mm
W	5 mm
m	0,56 kg / Weight
C _r	27500 N / Dynamic load rating (radial)
C _{0r}	15300 N / Static load rating (radial)
Category	Insert Bearings Cylindrical OD
Inventory	0.0
Manufacturer Name	SCHAEFFLER GROUP
Minimum Buy Quantity	N/A
UNSPSC	31171536

E35-KLL Bearing 2D drawings and 3D CAD models



Toyana BEARING-SINGAPORE (PTE)LTD.

Weight / Kilogram	0.659
EAN	4012802799972
Product Group	B00308
Inner Race Profile	Wide Inner Ring
Outer Race Profile	Cylindrical
Mounting Method	Eccentric Collar
Rolling Element	Ball Bearing
Relubricatable	No
Seal Type	Double Non Contact Labyrinth
Snap Ring	No
Inch - Metric	Metric
Long Description	35MM Bore; Wide Inner Ring; 19MM Outer Race Width; 72MM Outside Diameter; Eccentric Collar; Ball Bearing; 51.1MM Length Thru Bore; Not Relubricatable; Double Non Contact Labyrinth Seal; No Snap Ring
Other Features	Single Row With Set Screw Conrad Non Filling Slot Metric
Outer Race Width	0.748 Inch 19 Millimeter
Outside Diameter	2.835 Inch 72 Millimeter
Length Thru Bore	2.012 Inch 51.1 Millimeter
Bore	1.378 Inch 35 Millimeter