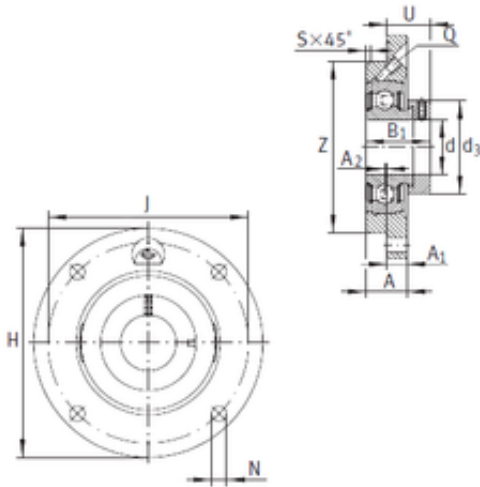




Toyana BEARING-SINGAPORE (PTE)LTD.



PME30-N Bearing 2D drawings and 3D CAD models

INA PME30-N Flange-Mount Ball Bearing Units

Bearing No. PME30-N

| | |
|-------------------------------|-----------------------|
| Bore Diameter | 30 mm |
| d | 30 mm |
| U | 24,7 mm |
| Thread (Q) | M6 |
| Z | 80 mm |
| d3 | 44 mm |
| A | 20,5 mm |
| A1 | 9,5 mm |
| B1 | 35,8 mm |
| H | 125 mm |
| J | 100 mm |
| N | 11,5 mm |
| S | 2 mm |
| A2 | 2 mm |
| Weight | 0,97 Kg |
| Basic dynamic load rating (C) | 19,5 kN |
| Category | Flange Block Bearings |
| Inventory | 2.0 |
| Manufacturer Name | SCHAEFFLER GROUP |
| Minimum Buy Quantity | N/A |
| Weight / Kilogram | 1.162 |
| EAN | 4012802812718 |
| Product Group | M06110 |
| Number of Mounting Holes | 4 |
| Mounting Method | Eccentric Collar |



Toyana BEARING-SINGAPORE (PTE)LTD.

| | |
|------------------------------------|----------------------------------------------------------------------------------------------------------------------------------------------------------------------------------------------------------|
| Housing Style | 4 Bolt Round Flange Cartridge |
| Rolling Element | Ball Bearing |
| Housing Material | Cast Iron |
| Expansion / Non-expansion | Non-expansion |
| Mounting Bolts | 11.5 Millimeter |
| Relubricatable | Yes |
| Insert Part Number | GRAE30NPPB |
| Seals | Double Lip Contact |
| Housing Configuration | 1 Piece Solid |
| Pilot Configuration | With Pilot |
| Inch - Metric | Metric |
| Long Description | 4 Bolt Round Flange Cartridge; 30MM Bore; 99MM Bolt Circle; 70.7MM Bolt Spacing; 1 Piece Solid; Eccentric Collar Mount; Cast Iron; Ball Bearing; 35.7MM Length Thru Bore; Relubricatable; Double Lip Con |
| Other Features | Single Row Centering Spigot With Set Screw |
| Category | Flange Block |
| UNSPSC | 31171501 |
| Harmonized Tariff Code | 8483.20.40.40 |
| Noun | Bearing |
| Keyword String | Flanged |
| Manufacturer URL | http://www.ina.com |
| Manufacturer Item Number | PME30N |
| Weight / LBS | 2.139 |
| Length Thru Bore | 1.406 Inch 35.7 Millimeter |
| Cartridge Pilot Diameter | 3.15 Inch 80 Millimeter |
| Bore | 1.181 Inch 30 Millimeter |
| Nominal Bolt Circle Diameter Round | 3.9 Inch 99 Millimeter |



Toyana BEARING-SINGAPORE (PTE)LTD.

| | |
|-----------------------|------------------------------|
| Bolt Spacing | 2.783 Inch 70.7 Millimeter |
| Cartridge Pilot Depth | 0.354 Inch 9 Millimeter |