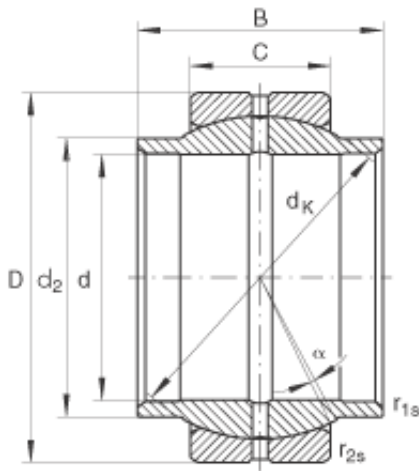




# Toyana BEARING-SINGAPORE (PTE)LTD.



GE125-LO Bearing 2D drawings and 3D CAD models

## INA GE125-LO Spherical Plain Bearings

Bearing No. GE125-LO

Size	125x180x125 mm
Bore Diameter	125 mm
Outer Diameter	180 mm
Width	125 mm
C	70 mm
$D_{a \min}$	150 mm
$d_2$	138 mm
$d_k$	160 mm
$r_{1s \min}$	1 mm
$r_{2s \min}$	1 mm
$\alpha$ ( ° )	4
Weight (kg)	8,1
$C_r$ (N)	952000
$C_{Or}$ (N)	4760000
Category	Spherical Plain Bearings - Radial
Inventory	0.0
Manufacturer Name	SCHAEFFLER GROUP
Minimum Buy Quantity	N/A
Weight / Kilogram	9.819
EAN	4012802534146
Product Group	B04264
Self Aligning	Yes
Rolling Element	Spherical Plain
Material - Outer Member	Steel
Material - Ball	Steel



## Toyana BEARING-SINGAPORE (PTE)LTD.

Material - Liner	Not Applicable
Relubricatable	Yes
Enclosure	Open
Other Features	2 Piece   Single Axial Split in Outer Ring   Extended Inner Ring on Both Sides
Long Description	125MM Bore; 70MM Housing Width; 180MM Outside Diameter; Spherical Plain; Steel Outer Member; Steel Ball; No Liner; 125MM Overall Width; Relubricatable
Inch - Metric	Metric
Category	Plain Bearings Spherical Radial
UNSPSC	31171515
Harmonized Tariff Code	8483.30.80.70
Noun	Bearing
Keyword 3	Spherical
Keyword String	Plain Spherical Radial
Manufacturer URL	<a href="http://www.ina.com">http://www.ina.com</a>
Manufacturer Item Number	GE125LO
Weight / LBS	18.74
Outside Diameter	7.087 Inch   180 Millimeter
Bore	4.921 Inch   125 Millimeter
Overall Width	4.921 Inch   125 Millimeter
Housing Width	2.756 Inch   70 Millimeter