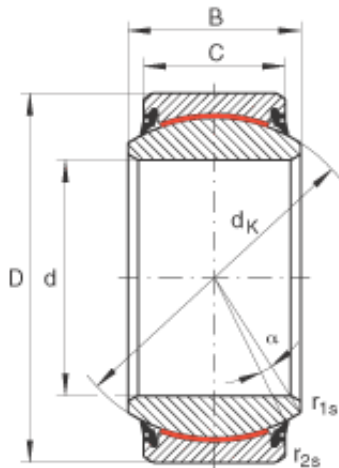




# Toyana BEARING-SINGAPORE (PTE)LTD.



GE17-UK-2RS Bearing 2D drawings and 3D CAD models

## INA GE17-UK-2RS Spherical Plain Bearings

Bearing No. GE17-UK-2RS

Size	17x30x14 mm
Bore Diameter	17 mm
Outer Diameter	30 mm
Width	14 mm
C	10 mm
$D_{a \min}$	24 mm
$d_{a \max}$	20,7 mm
$d_K$	25 mm
$r_{1s \min}$	0,3 mm
$r_{2s \min}$	0,3 mm
alf ( ° )	10
Weight (kg)	0,037
$C_r$ (N)	48800
$C_{Or}$ (N)	81300
Category	Spherical Plain Bearings - Radial
Inventory	0.0
Manufacturer Name	SCHAEFFLER GROUP
Minimum Buy Quantity	N/A
Weight / Kilogram	0
EAN	4012802038354
Product Group	B04264
Component	Complete with Outer and Inner Ring
Self Aligning	Yes
Rolling Element	Spherical Plain Bearing



## Toyana BEARING-SINGAPORE (PTE)LTD.

Material - Outer Member	Steel
Material - Ball	Steel
Material - Liner	PTFE
Relubricatable	No
Enclosure	2 Seals
Other Features	2 Piece   Axially Split Outer Ring
Long Description	17MM Bore; 10MM Housing Width; 30MM Outside Diameter; Complete with Outer and Inner Ring; Self Aligning; Spherical Plain Bearing; Steel Outer Member; Steel Ball; PTFE Liner; 2 Seals; 14MM Overall Width
Inch - Metric	Metric
Category	Plain Bearings Spherical Radial
UNSPSC	31171515
Harmonized Tariff Code	8483.30.80.70
Noun	Bearing
Keyword 3	Spherical
Keyword String	Plain Radial Spherical
Manufacturer URL	<a href="http://www.ina.com">http://www.ina.com</a>
Manufacturer Item Number	GE17UK2RS
Weight / LBS	0.084
Housing Width	0.394 Inch   10 Millimeter
Bore	0.669 Inch   17 Millimeter
Outside Diameter	1.181 Inch   30 Millimeter
Overall Width	0.551 Inch   14 Millimeter