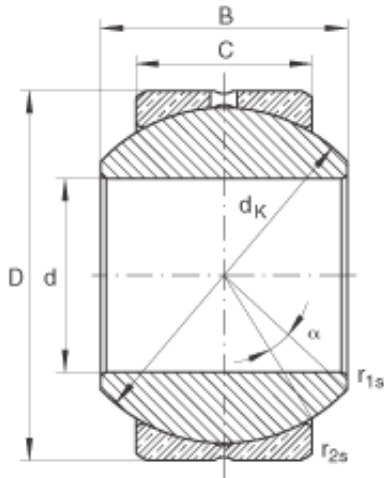




Toyana BEARING-SINGAPORE (PTE)LTD.



GE30-PB Bearing 2D drawings and 3D CAD models

INA GE30-PB Spherical Plain Bearings

Bearing No. GE30-PB

Size	30x55x37 mm
Bore Diameter	30 mm
Outer Diameter	55 mm
Width	37 mm
C	25 mm
$D_{a \min}$	46 mm
$d_{a \max}$	34,8 mm
d_K	50,8 mm
$r_{1s \min}$	0,3 mm
$r_{2s \min}$	0,6 mm
alf (°)	17
Weight (kg)	0,38
C_r (N)	63500
C_{Or} (N)	159000
Category	Spherical Plain Bearings - Radial
Inventory	0.0
Manufacturer Name	SCHAEFFLER GROUP
Minimum Buy Quantity	N/A
Weight / Kilogram	0.455
EAN	4012802128864
Product Group	B04264
Self Aligning	Yes
Rolling Element	Spherical Plain
Material - Outer Member	Steel
Material - Ball	Steel



Toyana BEARING-SINGAPORE (PTE)LTD.

Material - Liner	Bronze
Relubricatable	Yes
Enclosure	Open
Other Features	3 Piece
Long Description	30MM Bore; 25MM Housing Width; 55MM Outside Diameter; Spherical Plain; Steel Outer Member; Steel Ball; Bronze Liner; 37MM Overall Width; Relubricatable
Inch - Metric	Metric
Category	Plain Bearings Spherical Radial
UNSPSC	31171515
Harmonized Tariff Code	8483.30.80.70
Noun	Bearing
Keyword 3	Spherical
Keyword String	Plain Spherical Radial
Manufacturer URL	http://www.ina.com
Manufacturer Item Number	GE30PB
Weight / LBS	0.838
Housing Width	0.984 Inch 25 Millimeter
Overall Width	1.457 Inch 37 Millimeter
Bore	1.181 Inch 30 Millimeter
Outside Diameter	2.165 Inch 55 Millimeter