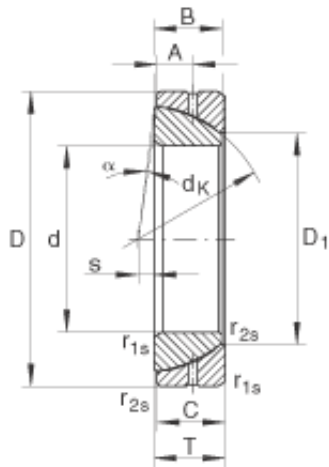




Toyana BEARING-SINGAPORE (PTE)LTD.



GE50-SX Bearing 2D drawings and 3D CAD models

INA GE50-SX Spherical Plain Bearings

Bearing No. GE50-SX

Size	50x80x19 mm
Bore Diameter	50 mm
Outer Diameter	80 mm
Width	19 mm
T	20 mm
A	10 mm
C	19 mm
D ₁	59,1 mm
D _{a min}	65 mm
d _{a max}	57,9 mm
d _{b max}	67 mm
d _k	74 mm
D _{b min}	75 mm
r _{1s min}	1 mm
r _{2s min}	0,3 mm
s	4 mm
alf (°)	1,6
Weight (kg)	0,46
C _r (N)	118000
C _{0r} (N)	592000
Category	Spherical Plain Bearings - Thrust
Inventory	0.0
Manufacturer Name	SCHAEFFLER GROUP
Minimum Buy Quantity	N/A



Toyana BEARING-SINGAPORE (PTE)LTD.

Weight / Kilogram	0
Product Group	B04120
Component	Complete with Outer and Inner Ring
Rolling Element	Spherical Plain Bearing
Self Aligning	Yes
Material - Outer Member	Steel
Material - Ball	Steel
Material - Liner	Not Applicable
Enclosure	Open
Relubricatable	Yes
Other Features	Angular Contact Single Direction
Long Description	50MM Bore; 80MM Housing Outside Diameter; 20MM Overall Width; Complete with Outer and Inner Ring; Spherical Plain Bearing; Self Aligning; Steel Outer Member; Steel Ball; Open Enclosure; 75MM Ball Outs
Inch - Metric	Metric
Category	Plain Bearings Spherical Thrust
UNSPSC	31171515
Harmonized Tariff Code	8483.30.80.70
Noun	Bearing
Keyword 3	Spherical
Keyword String	Plain Thrust Spherical
Manufacturer URL	http://www.ina.com
Manufacturer Item Number	GE50SX
Weight / LBS	0.992
Housing Width	0.748 Inch 19 Millimeter
Bore	1.969 Inch 50 Millimeter
Ball Outside Diameter	2.953 Inch 75 Millimeter



Toyana BEARING-SINGAPORE (PTE)LTD.

Overall Width	0.787 Inch 20 Millimeter
Housing Outside Diameter	3.15 Inch 80 Millimeter