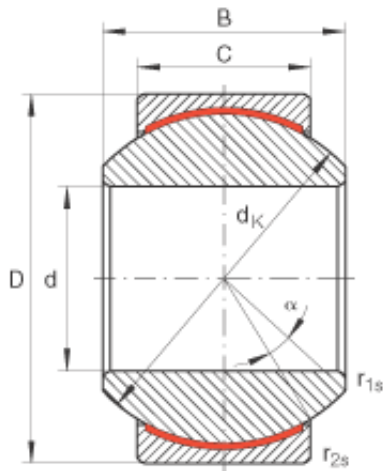




# Toyana BEARING-SINGAPORE (PTE)LTD.



GE10-PW Bearing 2D drawings and 3D CAD models

## INA GE10-PW Spherical Plain Bearings

Bearing No. GE10-PW

Size	10x22x14 mm
Bore Diameter	10 mm
Outer Diameter	22 mm
Width	14 mm
C	10,5 mm
$D_{a \min}$	17 mm
$d_{a \max}$	12,9 mm
$d_K$	19,05 mm
$r_{1s \min}$	0,3 mm
$r_{2s \min}$	0,3 mm
alf ( ° )	13
Weight (kg)	0,027
$C_r$ (N)	18100
$C_{Or}$ (N)	45200
Category	Spherical Plain Bearings - Radial
Inventory	0.0
Manufacturer Name	SCHAEFFLER GROUP
Minimum Buy Quantity	N/A
Weight / Kilogram	0.034
Product Group	B04264
Self Aligning	Yes
Rolling Element	Spherical Plain
Material - Outer Member	Steel
Material - Ball	Steel
Material - Liner	Bronze   Teflon



## Toyana BEARING-SINGAPORE (PTE)LTD.

Relubricatable	No
Enclosure	Open
Other Features	3 Piece   Maintenance Free
Long Description	10MM Bore; 10.5MM Housing Width; 22MM Outside Diameter; Spherical Plain; Steel Outer Member; Steel Ball; Bronze   Teflon Liner; 14MM Overall Width; Not Relubricatable
Inch - Metric	Metric
Category	Plain Bearings Spherical Radial
UNSPSC	31171515
Harmonized Tariff Code	8483.30.80.70
Noun	Bearing
Keyword 3	Spherical
Keyword String	Plain Spherical Radial
Manufacturer URL	<a href="http://www.ina.com">http://www.ina.com</a>
Manufacturer Item Number	GE10PW
Weight / LBS	0.06
Housing Width	0.413 Inch   10.5 Millimeter
Overall Width	0.551 Inch   14 Millimeter
Bore	0.394 Inch   10 Millimeter
Outside Diameter	0.866 Inch   22 Millimeter