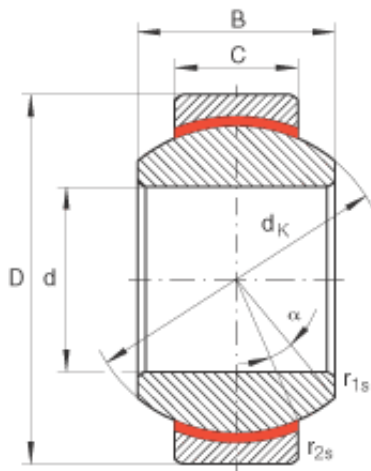




Toyana BEARING-SINGAPORE (PTE)LTD.



GE10-FW Bearing 2D drawings and 3D CAD models

INA GE10-FW Spherical Plain Bearings

Bearing No. GE10-FW

Size	10x22x12 mm
Bore Diameter	10 mm
Outer Diameter	22 mm
Width	12 mm
C	7 mm
$D_{a \min}$	17,5 mm
$d_{a \max}$	13,4 mm
d_K	18 mm
$r_{1s \min}$	0,3 mm
$r_{2s \min}$	0,3 mm
alf (°)	18
Weight (kg)	0,02
C_r (N)	11300
C_{0r} (N)	28400
Category	Spherical Plain Bearings - Radial
Inventory	0.0
Manufacturer Name	SCHAEFFLER GROUP
Minimum Buy Quantity	N/A
Weight / Kilogram	0
Product Group	B04264
Component	Complete with Outer and Inner Ring
Self Aligning	Yes
Rolling Element	Spherical Plain Bearing
Material - Outer Member	Steel



Toyana BEARING-SINGAPORE (PTE)LTD.

Material - Ball	Steel
Material - Liner	PTFE
Relubricatable	No
Enclosure	Open
Other Features	2 Piece Wide Inner Ring
Long Description	10MM Bore; 7MM Housing Width; 22MM Outside Diameter; Complete with Outer and Inner Ring; Self Aligning; Spherical Plain Bearing; Steel Outer Member; Steel Ball; PTFE Liner; Open; 12MM Overall Width; N
Inch - Metric	Metric
Category	Plain Bearings Spherical Radial
UNSPSC	31171515
Harmonized Tariff Code	8483.30.80.70
Noun	Bearing
Keyword 3	Spherical
Keyword String	Plain Radial Spherical
Manufacturer URL	http://www.ina.com
Manufacturer Item Number	GE10FW
Weight / LBS	0.044
Overall Width	0.472 Inch 12 Millimeter
Bore	0.394 Inch 10 Millimeter
Outside Diameter	0.866 Inch 22 Millimeter
Housing Width	0.276 Inch 7 Millimeter