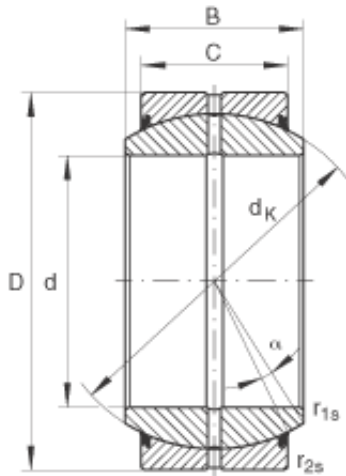




# Toyana BEARING-SINGAPORE (PTE)LTD.



GE110-DO-2RS Bearing 2D drawings and 3D CAD models

## INA GE110-DO-2RS Spherical Plain Bearings

Bearing No. GE110-DO-2RS

Size	110x160x70 mm
Bore Diameter	110 mm
Outer Diameter	160 mm
Width	70 mm
C	55 mm
$D_{a \min}$	134 mm
$d_{a \max}$	121,2 mm
$d_K$	140 mm
$r_{1s \min}$	1 mm
$r_{2s \min}$	1 mm
alf ( ° )	6
Weight (kg)	4,7
$C_r$ (N)	655000
$C_{Or}$ (N)	3280000
Category	Spherical Plain Bearings - Radial
Inventory	0.0
Manufacturer Name	SCHAEFFLER GROUP
Minimum Buy Quantity	N/A
Weight / Kilogram	5.645
Product Group	B04264
Self Aligning	Yes
Rolling Element	Spherical Plain
Material - Outer Member	Steel
Material - Ball	Steel
Material - Liner	Not Applicable



## Toyana BEARING-SINGAPORE (PTE)LTD.

Relubricatable	Yes
Enclosure	2 Seals
Other Features	2 Piece   Single Axial Split in Outer Ring
Long Description	110MM Bore; 55MM Housing Width; 160MM Outside Diameter; Spherical Plain; Steel Outer Member; Steel Ball; No Liner; 70MM Overall Width; Relubricatable
Inch - Metric	Metric
Category	Plain Bearings Spherical Radial
UNSPSC	31171515
Harmonized Tariff Code	8483.30.80.70
Noun	Bearing
Keyword 3	Spherical
Keyword String	Plain Spherical Radial
Manufacturer URL	<a href="http://www.ina.com">http://www.ina.com</a>
Manufacturer Item Number	GE110DO2RS
Weight / LBS	10.36
Overall Width	2.756 Inch   70 Millimeter
Housing Width	2.165 Inch   55 Millimeter
Bore	4.331 Inch   110 Millimeter
Outside Diameter	6.299 Inch   160 Millimeter