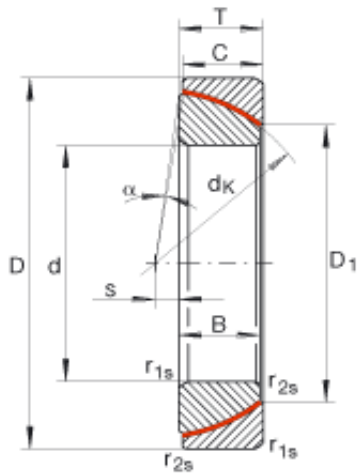




Toyana BEARING-SINGAPORE (PTE)LTD.



GE25-SW Bearing 2D drawings and 3D CAD models

INA GE25-SW Spherical Plain Bearings

Bearing No. GE25-SW

Size	25x47x14 mm
Bore Diameter	25 mm
Outer Diameter	47 mm
Width	14 mm
T	15 mm
C	14 mm
D ₁	31,4 mm
D _{a min}	34 mm
d _{a max}	30,1 mm
d _{b max}	39,5 mm
d _K	42,5 mm
D _{b min}	43 mm
r _{1s min}	0,2 mm
s	1 mm
alf (°)	2,7
Weight (kg)	0,13
C _r (N)	143000
C _{0r} (N)	239000
Category	Spherical Plain Bearings - Thrust
Inventory	0.0
Manufacturer Name	SCHAEFFLER GROUP
Minimum Buy Quantity	N/A
Weight / Kilogram	0.156
Product Group	B04264



Toyana BEARING-SINGAPORE (PTE)LTD.

Rolling Element	Spherical Plain
Self Aligning	Yes
Material - Outer Member	Steel
Material - Ball	Steel
Material - Liner	Teflon
Enclosure	Open
Relubricatable	No
Other Features	Angular Contact Single Direction
Long Description	25MM Bore; 47MM Housing Outside Diameter; 15MM Overall Width; Spherical Plain; Self Aligning; Steel Outer Member; Steel Ball; Teflon Liner; 43MM Ball Outside Diam; 14MM Housing Width; Not Relubricatab
Inch - Metric	Metric
Category	Plain Bearings Spherical Thrust
UNSPSC	31171515
Harmonized Tariff Code	8483.30.80.70
Noun	Bearing
Keyword 3	Spherical
Keyword String	Plain Thrust Spherical
Manufacturer URL	http://www.ina.com
Manufacturer Item Number	GE25SW
Weight / LBS	0.309
Ball Outside Diameter	1.693 Inch 43 Millimeter
Overall Width	0.591 Inch 15 Millimeter
Housing Width	0.551 Inch 14 Millimeter
Housing Outside Diameter	1.85 Inch 47 Millimeter
Bore	0.984 Inch 25 Millimeter